

040029-00 / 040029-04

Adjustable Leg

Leg height adjusts from 31.9" to 28.2"

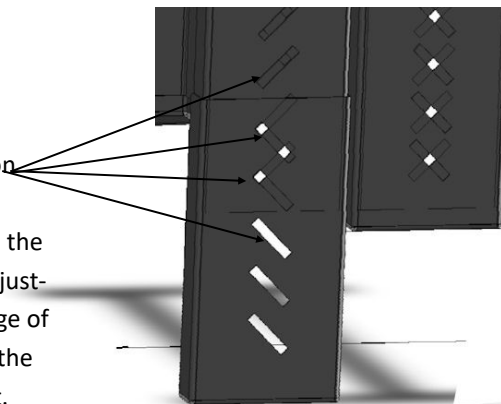
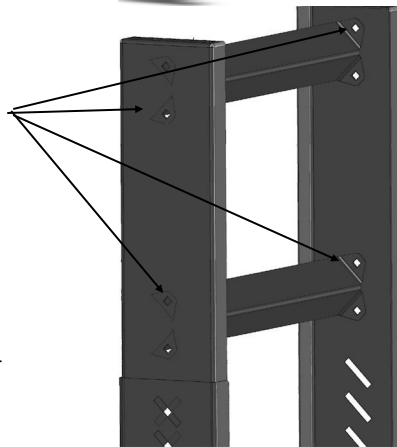
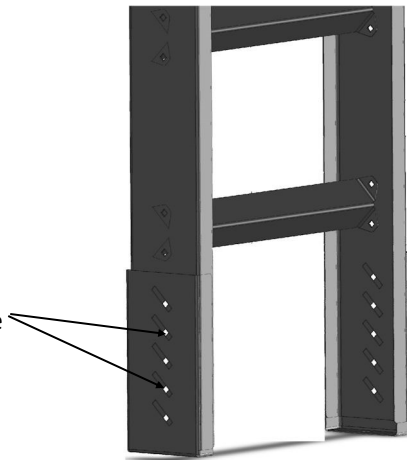
Proudly Made in USA

Assembly instructions:

1. Attach the adjustable feet with the included carriage bolts. Pay attention to install the heads outside and the lock washer and hex nut in the inside of the formed channel. Mount the adjustable feet at the lowest point in the adjustability range and both feet at the same height; this will make the final adjustment easier.

2. After the adjustable feet have been bolted on attach the braces (index#3) paying special attention to line up the square holes in the leg with the square hole in the brace. Insert the included carriage bolt (8 pieces) with the head to the outside and the lock washer and hex nut on the inside of the formed channel of the leg. **NOTE: do not tighten completely until leg has been placed and leveled.**

3. Adjusting the leg to the proper height will require assistance from another person. To adjust the leg to the proper height loosen the hex nuts on the inside of the adjustable foot, then lift the leg assembly to the proper height and tighten. (Note the each bolt layout will only allow a few inches of adjustment) If the foot needs to be moved past its range of motion the bolts may need to be repositioned to the next slot up or down to achieve the proper height.



Assembly instructions:

4. Final step, attach the brace (#8 on diagram p/n 0841749-51 or -53) using the 4 included 1/4" hex head bolts (item # 10), 1/4" flat washer (index# 11) and 1/4" nylon lock nut (index# 9). Do not tighten until the leg has been adjusted to the proper height and placed in its final location, then tighten bolts for this brace and the cross braces

If you have any questions or comments please call or email us. Thank you for purchasing our American Made Products



PROUDLY MADE IN USA



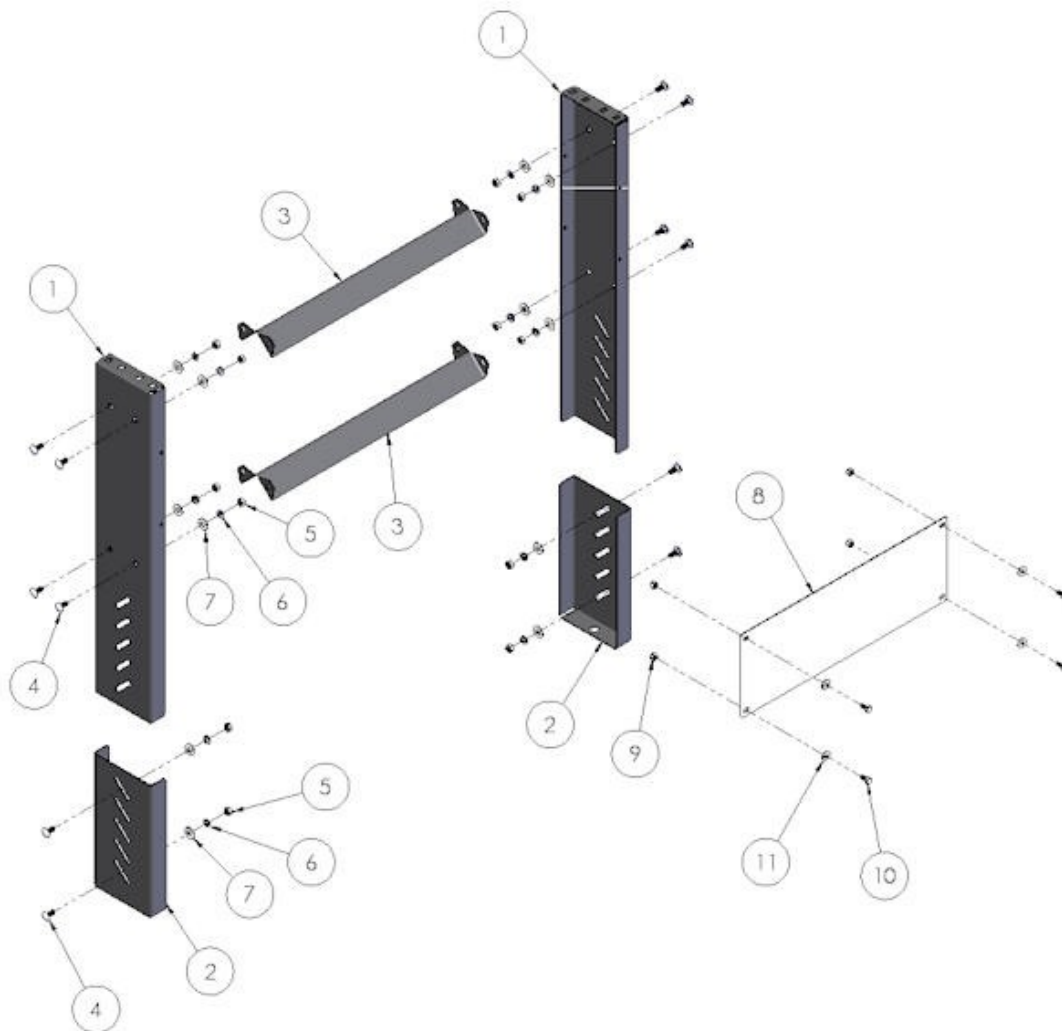
Original Saw Company

465 Third Ave SE - Britt, IA 50423

PH 800.733.4063 641.843.3868 FX 641.843.3869

Email: customerservice@originalsaw.com

www.originalsaw.com



#	part#	description	qty
1	084179-02	Leg	2
2	084179-04	Foot, adjustable	2
3		See below	2
	084179-06	Brace, leg (20.4" wide assy # 040029-00)	
	084179-10	Brace, Leg (14" wide assy # 040029-04)	
4	096779-00	carriage bolt 5/16-18 x .75	12
5	099370-04	hex nut 5/16-18	12
6	099384-07	lock washer 5/16	12
7	099361-16	5/16 flat washer	12
8		See below	1
	084179-51	brace (wide assy # 040029-00)	
	084179-53	brace (narrow assy # 040029-04)	
9	082024	1/4" nyloc nut	4
10	082096	hex head bolt 1/4"-20 x 3/4	4
11	046084	1/4" flat washer	4

parts not shown:
Logo labels



Original Saw Company
465 Third Ave SE - Britt, IA 50423
PH 800.733.4063 641.843.3868 FX 641.843.3869
Email: customerservice@originalsaw.com

www.originalsaw.com