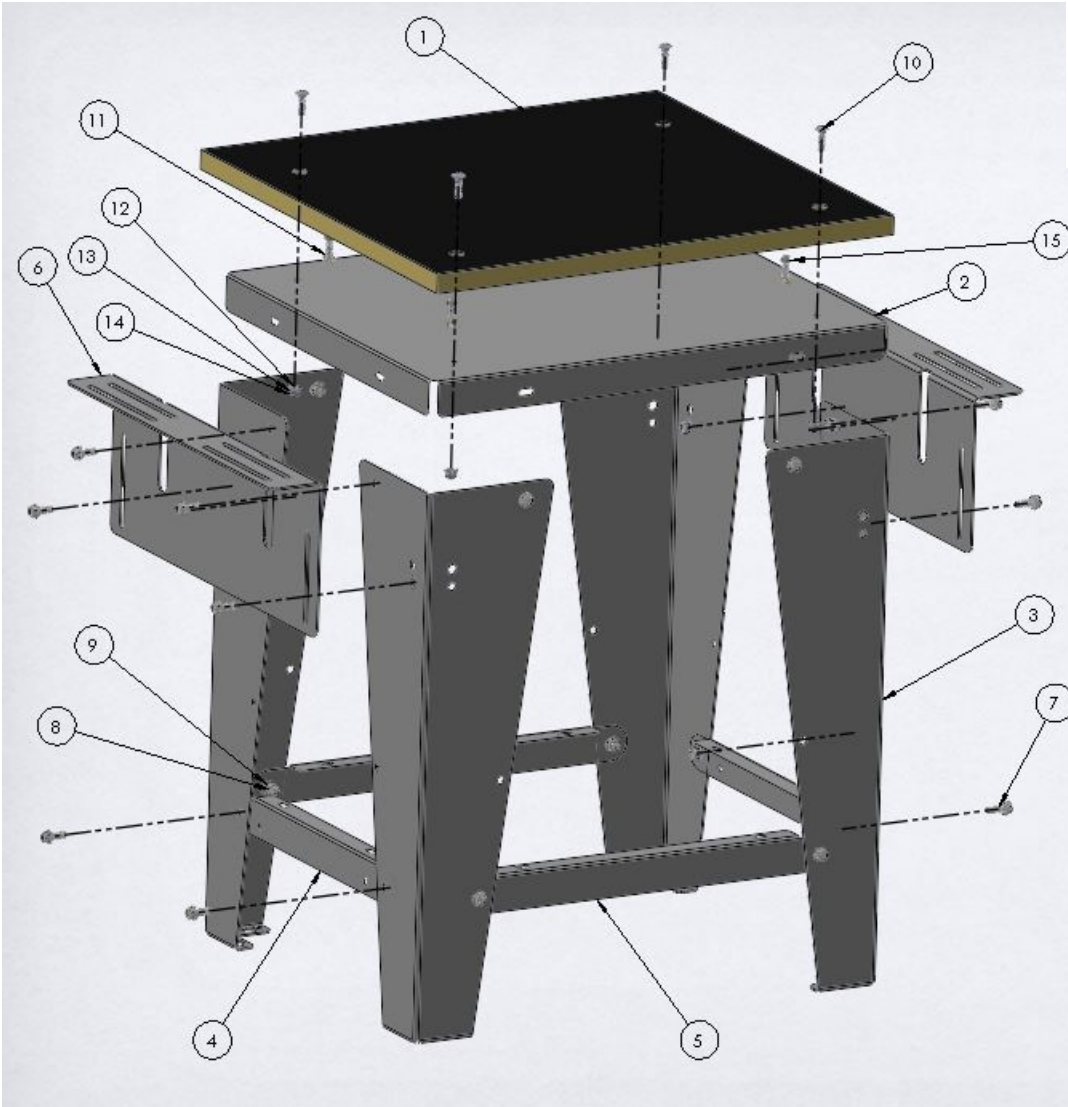




# 040039-00 Miter Saw Stand

## breakdown and assembly instructions



### STAND ASSEMBLY 040039-00

ITEM NO.	PART NUMBER	DESCRIPTION	QTY.
1	084177-20	MDF Top	1
2	084177-04	TABLETOP	1
3	088181-09	LEG, HD/CD EXTENDED	4
4	084177-06	CROSS BRACE, SHORT	2
5	084177-08	CROSS BRACE, LONG	2
6	084156-10	BRACKET, MITER STAND	2
7	082102	HEX FLANGE BOLT, 3/8-18 X .75	20
8	084180-00	3/8-16 Hex Nut	20
9	000415	LOCK WASHER, 3/8	20
10	096779-01	CRG BOLT, 5/16-18 X 1.25	4
11	096735-05	5/16-18 Threaded Insert	4
12	099361-16	5/16" FLAT WASHER	24
13	099384-07	5/16" LOCK WASHER	4
14	95462A030	5/16-18 Hex Nut	4
15	082172-00	5/16"-18 x 1 1/4" SHCS	4



## Assembly Instructions: 040039-00

1. Lay out all the pieces and locate the (4) legs, (2) braces (left and right), (2) braces front and back (longer), (1) table top, (2) table brackets, (4) threaded inserts, (20) 3/8 hex head cap screws, 3/8 hex nuts and 3/8 lock washers.
2. Begin assembling the legs and the braces as shown in photo.
3. Put (4) legs together with the (4) braces
4. Bolt in the Top using the (8) 3/8 hex head flanged bolts lockwashers and heavy hex nuts.
5. Attach the MDF top using the (4) 5/16 carriage bolts, lockwashers, and hex nuts. Line up the 4 holes in the MDF top with the corresponding holes in the steel top.





## Instructions for attaching Miter Saw to stand PN 040039-00

by Original Saw



Follow the below listed instructions to attach your miter saw to the assembled stand. Please note to attach the extension tables and measuring system first if it is being installed so the fence can be lined up with the measuring system fence.

We will be installing threaded inserts that will allow your miter saw to be attached to the MDF top.

1. To attach the miter saw to the stand simply place the miter saw on the assembled stand.
2. Make sure to line up the fence of the measuring system with the fence on your miter saw.
3. Once the miter saw is in the correct position mark the 4 holes on the your miter saw base.
4. Remove the miter saw and remove the MDF board, Drill (4) holes in the MDF board using a 3/8 drill bit.
5. Install the (4) threaded inserts in the bottom (underside) side of the board using an Allen Hex wrench
6. Re-attach the MDF top to the stand using the 5/16 Carriage bolts, lock washers and hex nuts.
7. Attach your miter saw using 5/16 socket head cap screws and washers, thread them into the threaded inserts that were just installed in the MDF table top.

