

by Original Saw

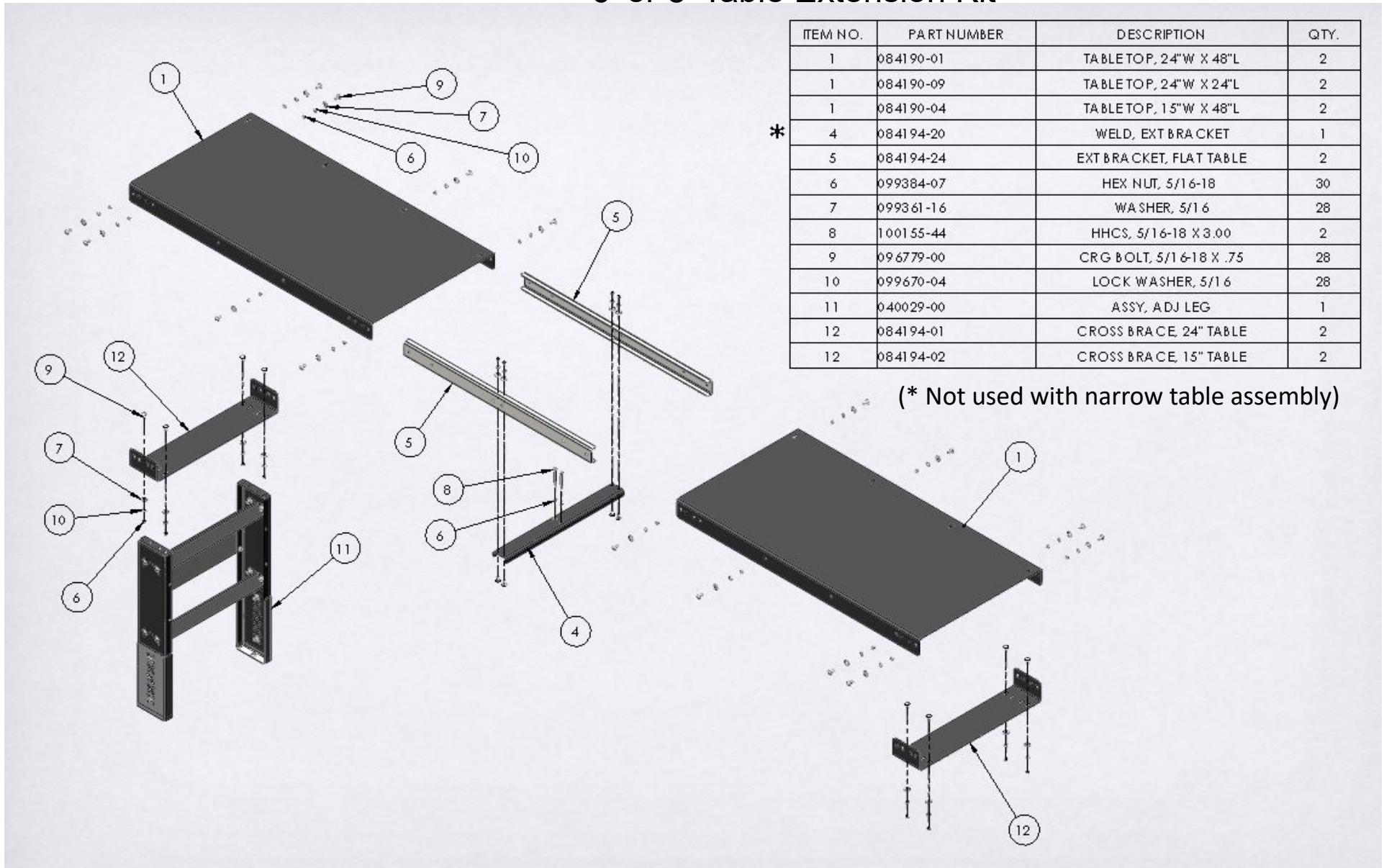


040032-06-24-00

040032-08-24-00

040032-08-15-00

6' or 8' Table Extension Kit



ITEM NO.	PART NUMBER	DESCRIPTION	QTY.	
1	084190-01	TABLE TOP, 24"W X 48"L	2	
1	084190-09	TABLE TOP, 24"W X 24"L	2	
1	084190-04	TABLE TOP, 15"W X 48"L	2	
*	4	084194-20	WELD, EXT BRACKET	1
5	084194-24	EXT BRACKET, FLAT TABLE	2	
6	099384-07	HEX NUT, 5/16-18	30	
7	099361-16	WASHER, 5/16	28	
8	100155-44	HHCS, 5/16-18 X 3.00	2	
9	096779-00	CRG BOLT, 5/16-18 X .75	28	
10	099670-04	LOCK WASHER, 5/16	28	
11	040029-00	ASSY, ADJ LEG	1	
12	084194-01	CROSS BRACE, 24" TABLE	2	
12	084194-02	CROSS BRACE, 15" TABLE	2	

(* Not used with narrow table assembly)



To assemble the 6' or 8' extension table kit please open box and remove all pieces and look over the components on the previous page. Then make sure you have a clear area to work in and use the cardboard box to lay down as a base on the floor so as not to scratch up the top of the table.

Step 1

Begin by lying the table section (item #1) on a flat surface (with cardboard or something down) facing down. Then assemble the support brace (item #10) into the table assembly as shown by using the (4 sets) of 5/16 carriage bolts, washers and nuts. Place the carriage bolt in from the outside and use the flat washer, lock washer, and hex nut on the inside.

Step 2

Assemble the (2) extension braces (item #3) in the same table section you just installed the brace into and as shown in the diagram on the right. Make sure to leave the holes on the bottom side of the brackets facing away from the table top (they will be used in the next step) using the (2) sets of 5/16 carriage bolts, washers, and nuts.

Step 3

(Not needed for narrow tables)

Before attaching the extension support / leveling bracket (item 2) install (2) 5/16-18 x 3" set screws with lock nuts on either side of the bracket into the holes as shown at right. These set screws will allow you to fine tune the surfaces of the tables to make sure they match perfectly. Assemble the (1) extension support / leveling bracket (item 2) by bolting them to the 2 mounting holes on the bottom of each of the extension braces.

Step 4

Then attach the other table section to the extension braces and repeat the above steps finish assembly of the table.

Step 5

Attach the final support brace (item #10) to the second table section as it was done above in step1.

Step 6

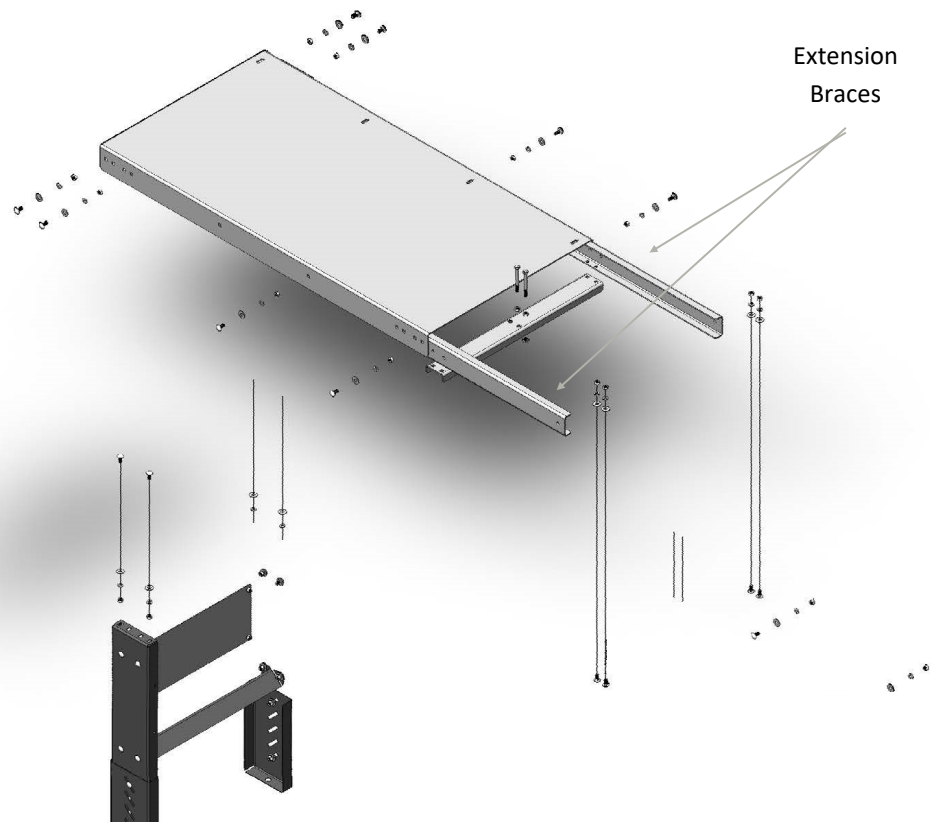
Assemble the adjustable leg as shown on pg 3 & 4. Then attach to the table assembly as shown, note the support brace (item10) will already be attached to the table assembly.

040032-06-24-00

040032-08-24-00

040032-08-15-00

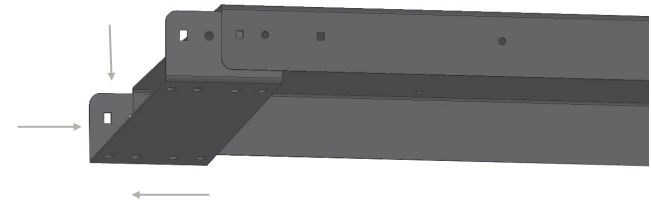
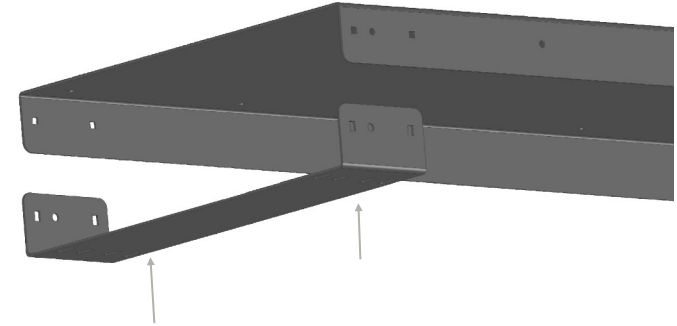
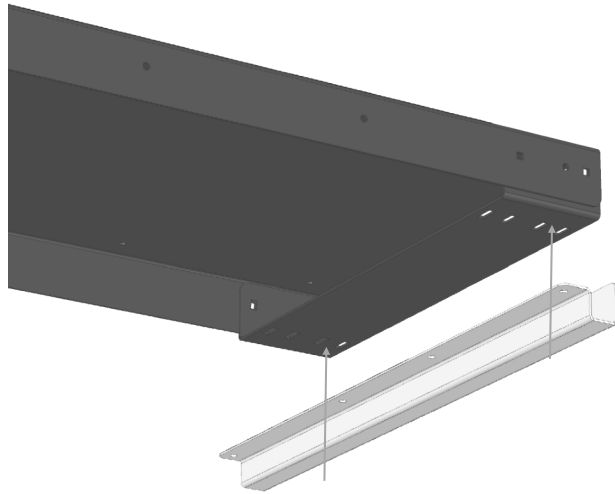
6' or 8' Table Extension Kit



by Original Saw



040032-06-24-00
040032-08-24-00
040032-08-15-00
6' or 8' Table Extension Kit



To attach the mounting bracket (after it has been bolted to the frame of the prospective machine) use the included 5/16 –18 x .75" carriage bolts (2), flat washers (2), and hex nuts (2) to attach the mounting bracket to the brace (index # 2) that has been attached to the extension table (note bracket appearance will vary by model of machine / machine stand to which it is being mounted).

040029-00 / 040029-04

Adjustable Leg

Leg height adjusts from 31.9" to 28.2"

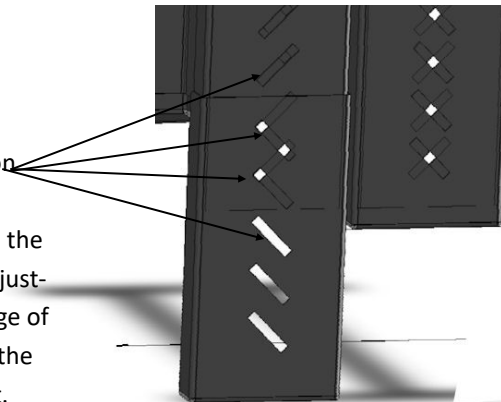
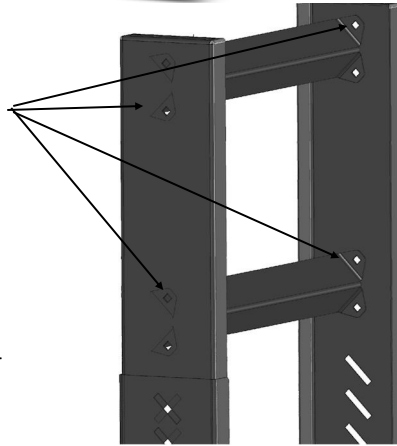
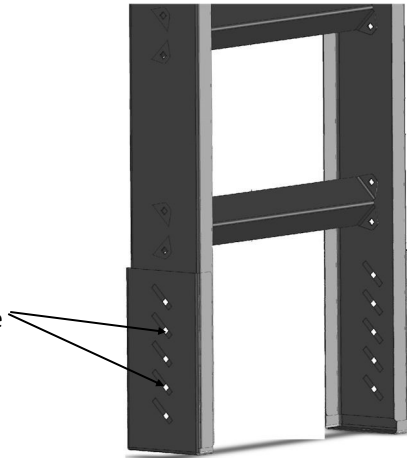
Proudly Made in USA

Assembly instructions:

1. Attach the adjustable feet with the included carriage bolts. Pay attention to install the heads outside and the lock washer and hex nut in the inside of the formed channel. Mount the adjustable feet at the lowest point in the adjustability range and both feet at the same height; this will make the final adjustment easier.

2. After the adjustable feet have been bolted on attach the braces (index#3) paying special attention to line up the square holes in the leg with the square hole in the brace. Insert the included carriage bolt (8 pieces) with the head to the outside and the lock washer and hex nut on the inside of the formed channel of the leg. **NOTE: do not tighten completely until leg has been placed and leveled.**

3. Adjusting the leg to the proper height will require assistance from another person. To adjust the leg to the proper height loosen the hex nuts on the inside of the adjustable foot, then lift the leg assembly to the proper height and tighten. (Note the each bolt layout will only allow a few inches of adjustment) If the foot needs to be moved past its range of motion the bolts may need to be repositioned to the next slot up or down to achieve the proper height.



by Original Saw

OSTM
SERIES
www.osseries.com

Assembly instructions:

4. Final step, attach the brace (#8 on diagram p/n 0841749-51 or -53) using the 4 included 1/4" hex head bolts (item # 10), 1/4" flat washer (index# 11) and 1/4" nylon lock nut (index# 9). Do not tighten until the leg has been adjusted to the proper height and placed in its final location, then tighten bolts for this brace and the cross braces

If you have any questions or comments please call or email us. Thank you for purchasing our American Made Products



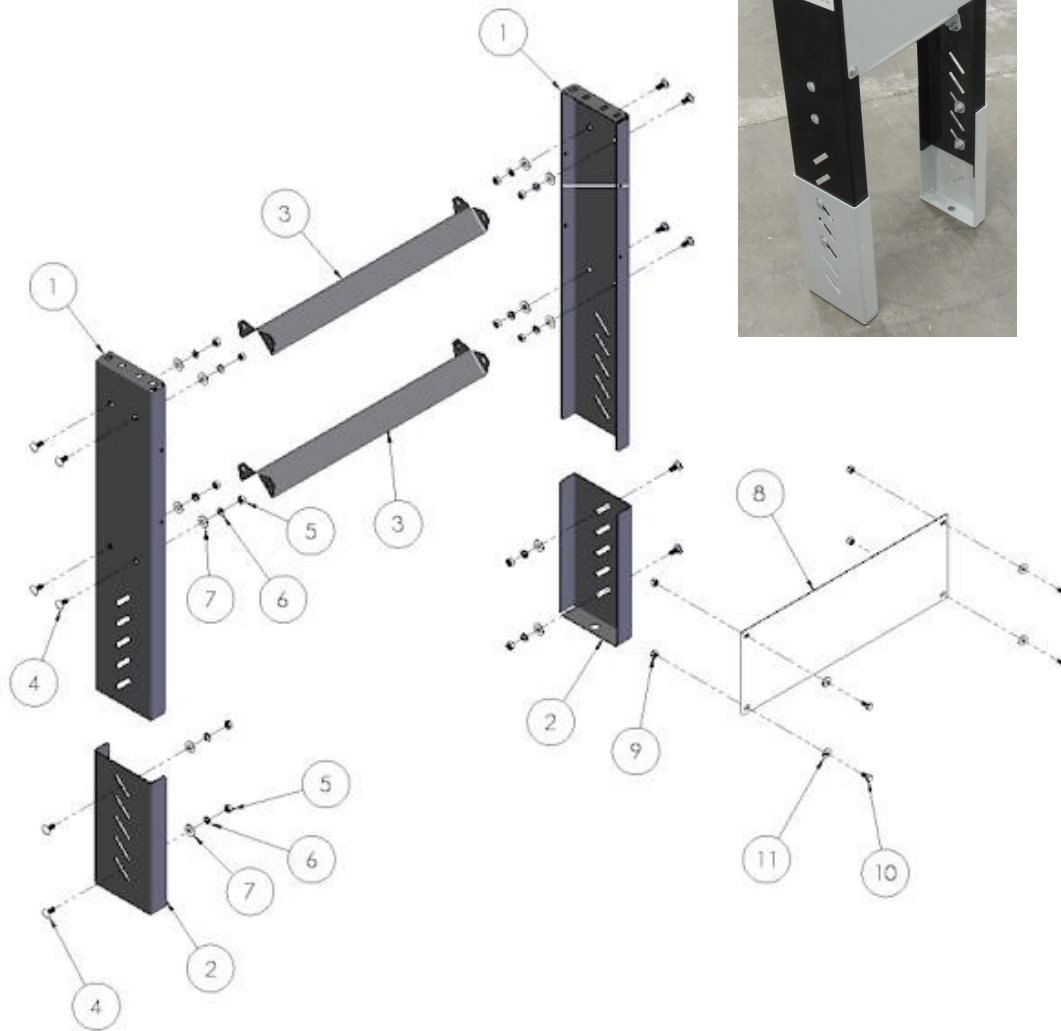
ORIGINALTM
SAW COMPANY

Original Saw Company
465 Third Ave SE - Britt, IA 50423
PH 800.733.4063 641.843.3868 FX 641.843.3869

Email: customerservice@originalsaw.com

www.originalsaw.com

by Original Saw



#	part#	description	qty
1	084179-02	Leg	2
2	084179-04	Foot, adjustable	2
3		See below	2
	084179-06	Brace, leg (20.4" wide assy # 040029-00)	
	084179-10	Brace, leg (14" narrow assy # 040029-04)	
4	096779-00	carriage bolt 5/16-18 x .75	12
5	099370-04	hex nut 5/16-18	12
6	099384-07	lock washer 5/16	12
7	099361-16	5/16 flat washer	12
8		See below	1
	084179-51	brace (wide assy # 040029-00)	
	084179-53	brace (narrow assy # 040029-04)	
9	082024	1/4" nyloc nut	4
10	082096	hex head bolt 1/4"-20 x 3/4	4
11	046084	1/4" flat washer	4

parts not shown:

Logo labels



Original Saw Company
 465 Third Ave SE - Britt, IA 50423
 PH 800.733.4063 641.843.3868 FX 641.843.3869

Email: customerservice@originalsaw.com

www.originalsaw.com

OS Series adj leg breakdown and assy 05.09.2012, (update 08.28.14 added narrow brace and roller part #), (update 02.10.16 added leg support brace and attaching hardware 10.23.17 update logos and table components for 6'),(corrected leg brace 084179-10 12.3.18)